

EXTRACTION ARMS



PSS

High-quality, acid-resistant extractor arm in stainless steel for stringent sanitary requirements



ATEX
COMPATIBLE

FUMEX
PURE ADVANTAGE



ATEX
COMPATIBLE

EASY CLEANING:

- High-gloss polished acid-resistant steel
- **FUMEX Q-MaiD™** quick hose connection
- Detachable protective grille
- Component-free airflow
- Fully sealed profile
- Few components for easy cleaning
- Food-grade certified hose
- Food-grade certified stainless steel gas spring that balances the weight of the arm
- Dual grounding for maximum safety

Fully stainless steel extractor arm for demanding work environments

FUMEX PSS - smart and stylish design developed primarily for industries with strict hygiene requirements, such as the food and pharmaceutical industries. A design based on the fundamental Fumex principle of using external support arms, which produce the lowest possible pressure drop and pose little risk of blockage. All surfaces finished in high-gloss polished acid-resistant stainless steel, and the antistatic hose is fitted with quick connectors, making PSS the most easily cleaned extraction arm in the industry. FUMEX PSS is available in the lengths 2000, 3000 and 4000 mm and the dimensions Ø100, 125, 160 and 200 mm.



Q quick
M maintenance
A assembling
I installation
D dismantling

What is FUMEX Q-MaiD™?

FUMEX Q-MaiD™ is a quick connection system that simplifies maintenance, assembly, installation and disassembly.



ATEX, "Food Grade", fully sealed profile and few components in a unique combination

A fully sealed profile, component-free airflow, generally few components and food-grade certified hose make **FUMEX PSS** one of the best extraction arms on the market in this segment.

The extraction arm is ATEX compliant and meets the requirements of the ATEX directive for category 2 equipment for gas and dust, and it is suitable for use in zones 1 and 21 as well as 2 and 22.

Food Grade

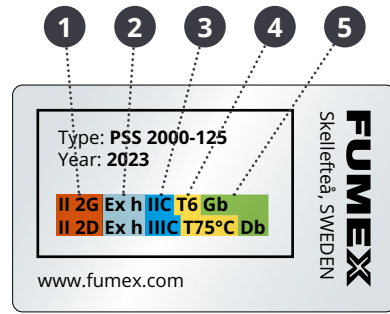
The term "Food Grade" refers to the materials used in various types of equipment for the production of food or food-related products. To be defined as food grade, the materials must be non-toxic and safe for consumption.

Food grade describes only individual materials and does not mean that the equipment as a whole is safe for food. Other factors, such as ease of cleaning and installation and maintenance procedures, must also be taken into account. Equipment used in the food industry must be installed as per the manufacturer's instructions as well as cleaned thoroughly and regularly to continue to be considered sanitary.

ATEX labelling

Fumex ATEX-compliant extraction arms are labelled with a nameplate providing information on the explosive atmospheres for which the product is suitable. The nameplate is structured as follows:

- 1 ATEX code
- 2 Type of protection (non-electrical)
- 3 Gas/Dust group
- 4 Temperature class
- 5 Equipment protection level



1

Equipment group	
Group	Area
I	Below ground
II	Above ground

2

Type of protection (non-electrical)	
Symbol	Type of protection
h	Protection through design safety non-electrical equipment

Equipment category	
Group	Zone
M1	Energised
M2	Non-energised
1	Very high protection
2	High protection
3	Normal protection

3

Gas groups	
Group	Example
I	Methane
IIA	Propane
IIB	Ethylene
IIC	Hydrogen

4

Temperature class gas	
Class	Max. surface temp.
T1	450 °C
T2	300 °C
T3	200 °C
T4	135 °C
T5	100 °C
T6	85 °C

5

Equipment protection level	
Level	Zone
Ga	0
Gb	1
Gc	2
Da	20
Db	21
Dc	22
Ma	Energised
Mb	Non-energised

Gas	Dust
G	D

Dust groups	
Group	Example
IIIA	Combustible
IIIB	Non-conductive
IIIC	Conductive

Temperature class dust	
Max. external surface temp.	

ATEX

Zone classification

Potentially explosive areas or premises must be classified in zones according to the frequency of occurrence and duration of explosive atmospheres. The person responsible for the operations is responsible for ensuring the classification of such risk areas.

Classification shall be conducted by persons knowledgeable about the properties of any flammable goods, the process and the equipment. Classification can be conducted in consultation with protection and electrical engineers as well as process technicians.

Zone 0 and Zone 20

An area in which explosive atmospheres are present continuously, for long periods or frequently.

Zone 1 and Zone 21

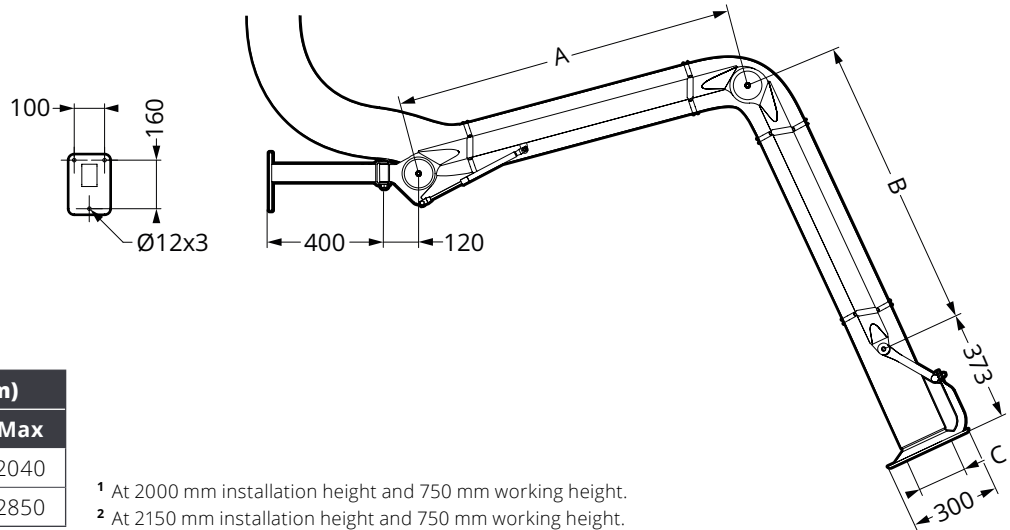
An area in which explosive atmospheres are expected to occur during normal operations.

Zone 2 and Zone 22

An area in which explosive atmospheres are not expected to occur during normal operations but, if they do occur, only last for a short time.

Dimensional drawing (mm)

PSS 2000/3000

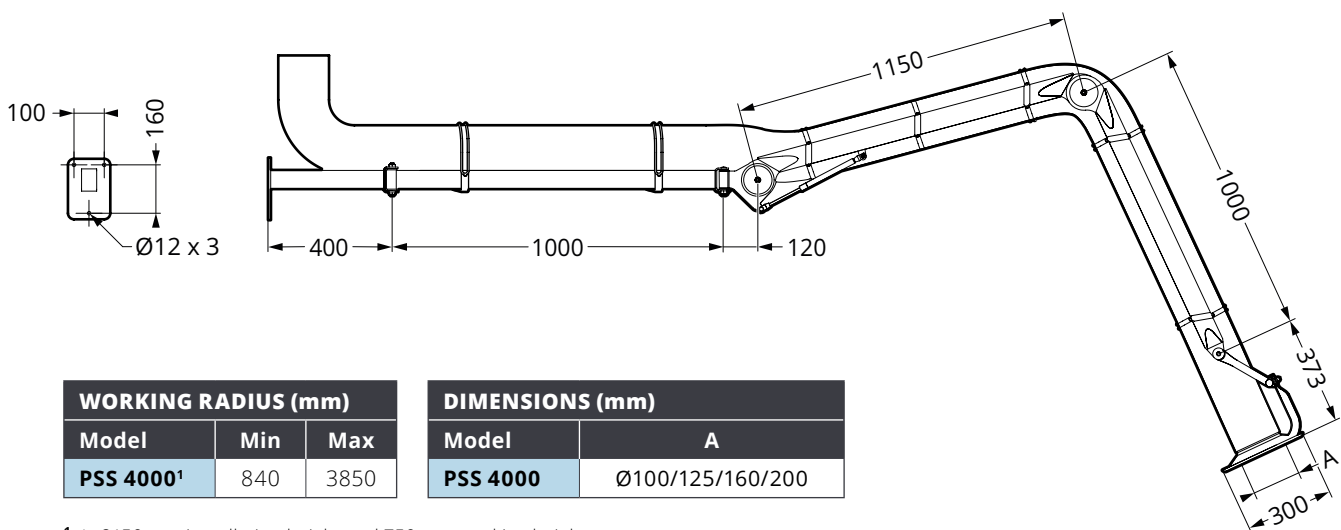


WORKING RADIUS (mm)		
Model	Min	Max
PSS 2000 ¹	0	2040
PSS 3000 ²	0	2850

¹ At 2000 mm installation height and 750 mm working height.
² At 2150 mm installation height and 750 mm working height.

DIMENSIONS (mm)			
Model	A	B	C
PSS 2000	650	750	Ø100/125/160/200
PSS 3000	1150	1000	Ø100/125/160/200

PSS 4000



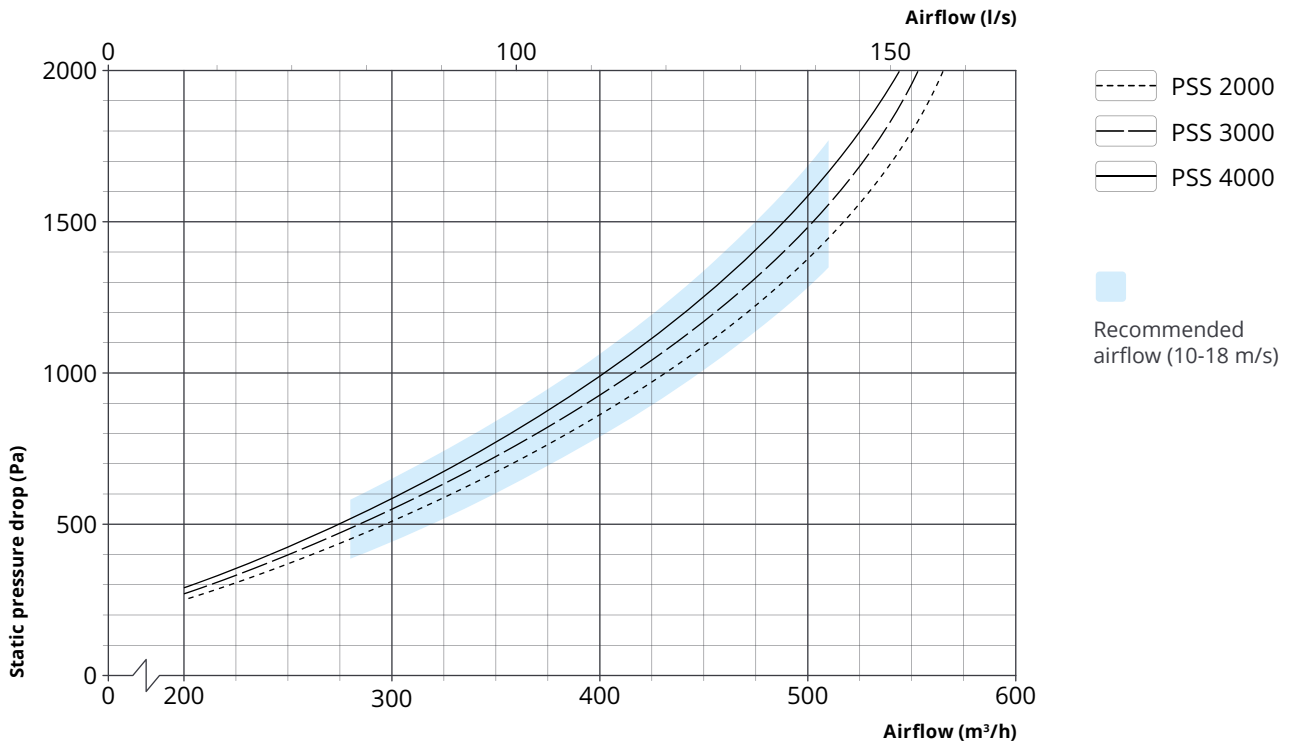
WORKING RADIUS (mm)		
Model	Min	Max
PSS 4000 ¹	840	3850

DIMENSIONS (mm)	
Model	A
PSS 4000	Ø100/125/160/200

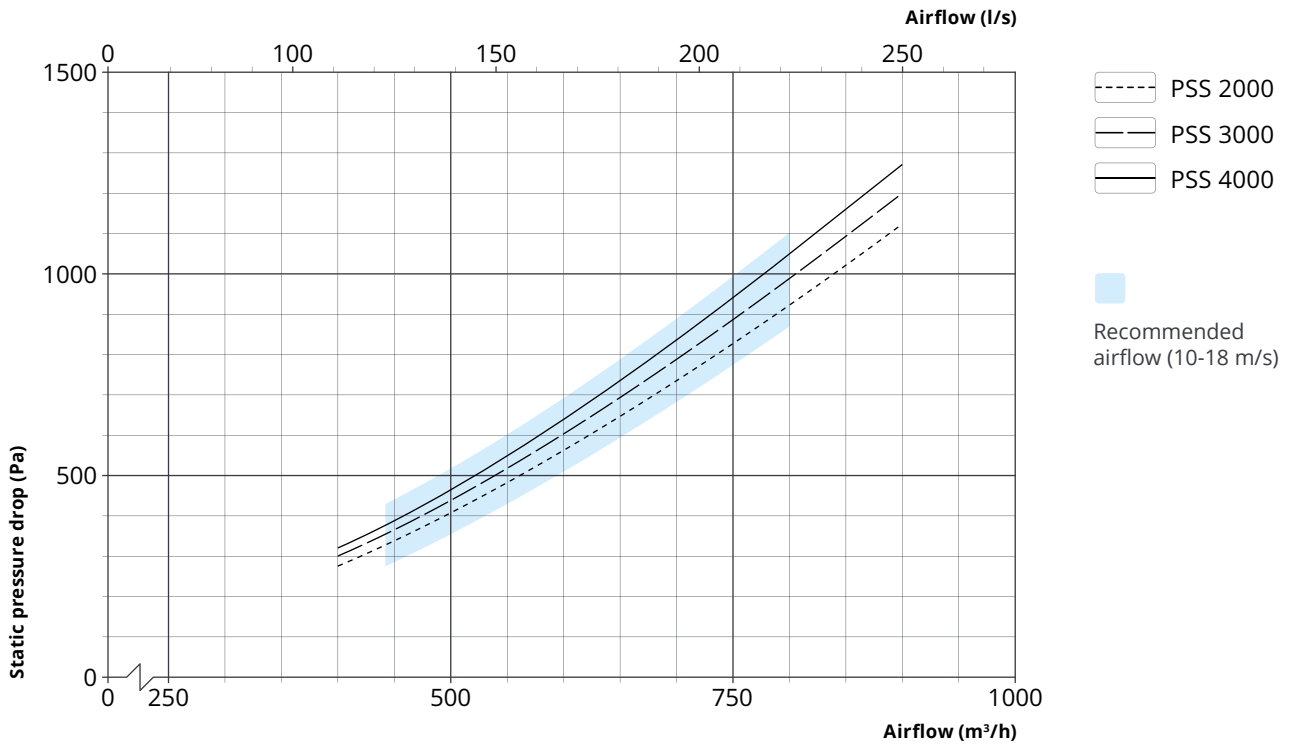
¹ At 2150 mm installation height and 750 mm working height.

Pressure drop diagram

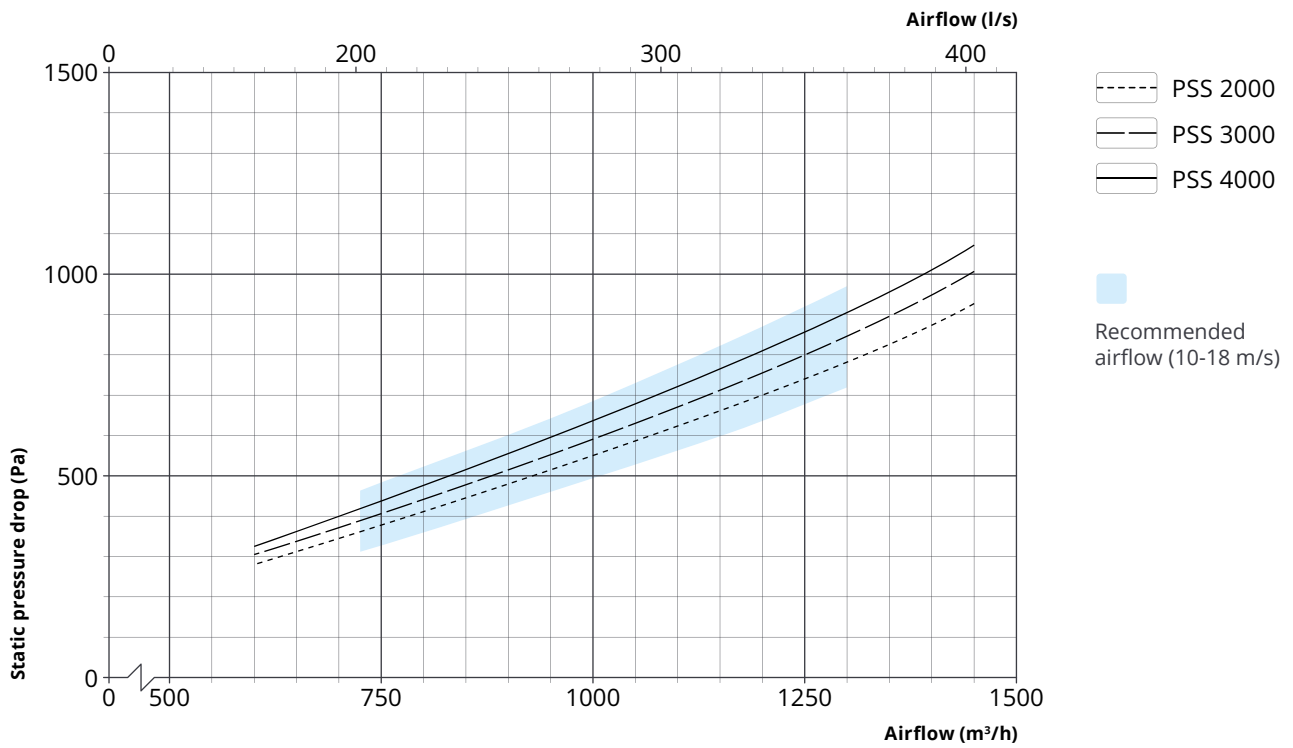
PSS Ø100 mm



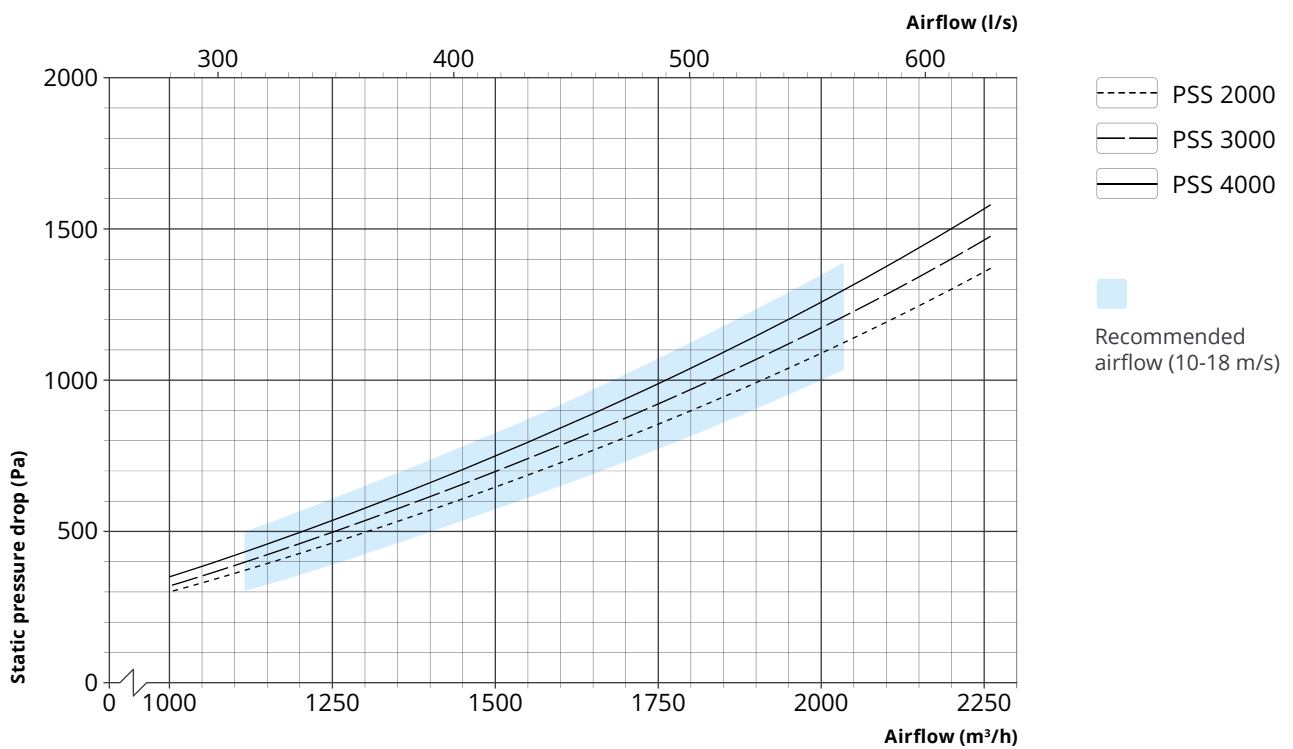
PSS Ø125 mm



PSS Ø160 mm



PSS Ø200 mm



Accessories



Ceiling bracket PTA4
Ceiling bracket in acid-resistant stainless steel.

Lengths:
500/1000/1500 mm



Floor bracket PGA4
Floor bracket in acid-resistant stainless steel.

Length:
2200 mm



Rotation link PLA4
Extension link in acid-resistant stainless steel for 180° of additional rotation.

Length:
220 mm



Damper PSSMS¹
Damper in acid-resistant stainless steel. Easy to assemble/disassemble for quick and easy cleaning.

Dimensions:
Ø100/125/160/200 mm

¹ The damper must be factory installed to guarantee the function of the earthing.

Specifications

Form of delivery

The extraction arm is delivered partially assembled with a wall bracket for easy installation.

Production

Since the product does not have an internal ignition source, it cannot be certified under the ATEX directive 2014/34/EU.

Surface treatment

Structural components and hood: High-gloss polished Ra ≤0,6 acid-resistant stainless steel (A4), grade EN 1.4401 / AISE 316
Plastic components:PP, PA6, TPU (FDA)
Rubber components:EPDM (FDA)

Versions

PSS	2000	3000	4000
Length (mm):.....	2293	3043	4043
Weight ¹ (kg):.....	10,1	11,2	16,2

Hose

Properties: Permanent antistatic PU hose with stainless steel coil, R <10⁹ Ω
Temperature range:....-40 °C to +100 °C
Dimensions (Ø): 100/125/160/200 mm

Resistant to hydrolysis and microbes, non-toxic, and food-grade certified in accordance with EC Regulation No. 1935/2004 and No. 10/2011, FDA standards 21 CFR 177.2600 and 178.2010.

¹ Excluding hose.